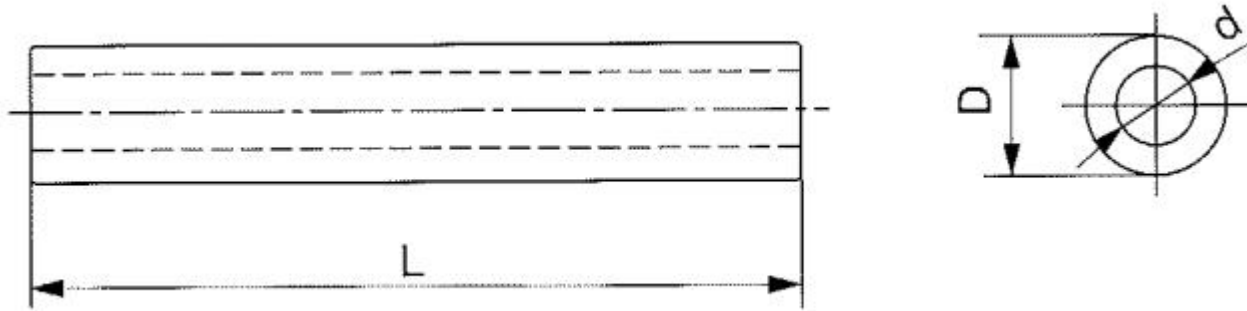


Overview

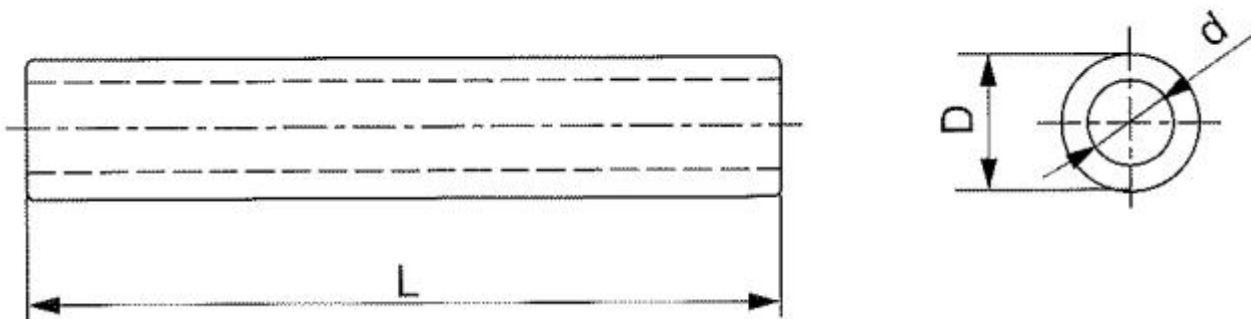
Splicing Sleeve is suitable for linking & repairing aerial insulation conduct in aerial electric power line.

**Splicing Sleeves for Steel Wire (Hydraulic Compression Type)
Hot-dip galvanized steel.**



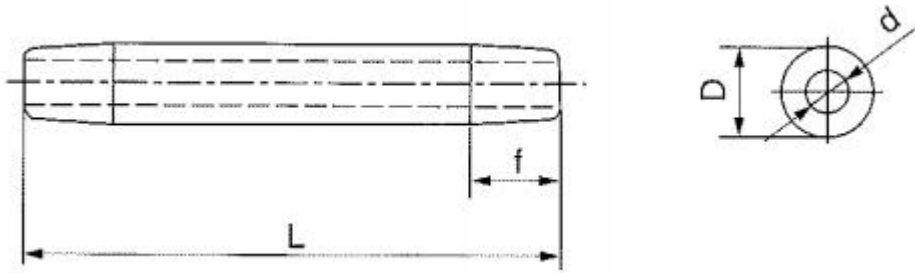
Catalog on.	Suitable Steel Wire	Dimensions (mm)			Slip Strength(kN)	Weight(kg)
		D	d	L		
JY-35G	GJ-35	16	8.4	220	45	0.3
JY-50G	GJ-50	18	9.6	240	60	0.4
JY-70G	GJ-70	22	11.7	290	88	0.7
JY-100G	GJ-100	26	13.7	320	123	1
JY-150G	GJ-150	32	16.5	430	162	2

**Splicing Sleeves for Steel Wire(Explosive Overlap Joint)
Hot-dip galvanized steel.**



Catalog No.	Suitable Steel Wire	Dimensions (mm)			Slip Strength (kN)	Weight(kg)
		D	d	L		
JBD-35G	GJ-35	22	16	110	45	0.2
JBD-50G	GJ-50	25	17	130	60	0.3
JBD-70G	GJ-70	28	20	150	88	0.4
JBD-100G	GJ-100	32	23	170	123	0.6

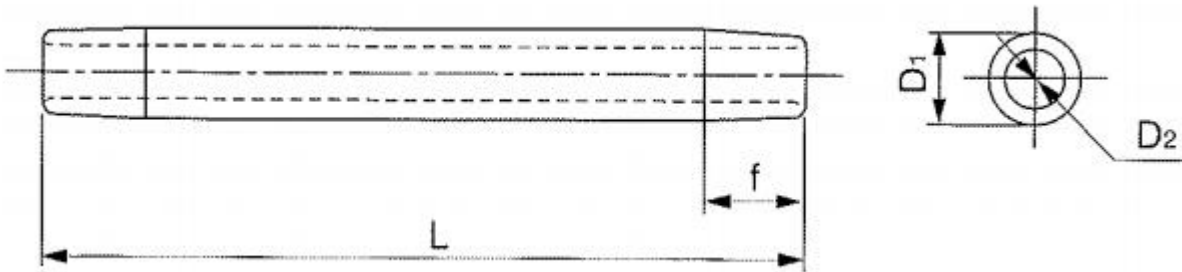
**Splicing Sleeves for Aluminium Conductor (Hydraulic Compression Type)
Hot-dip galvanized steel.**



Catalog No.	Suitable Conductoi	Dimensions (mm)				Slip Strength(kN)	Weight(Kg)
		D		d	L		
JY-150L	LJ-150	30	20	17	280	22	0.4
JY~185L	LJ-185	32	20	19	310	27	0.5
JY-210L	LJ-210	34	20	20	330	31	0.6
JY-240L	LJ-240	36	20	21.5	350	34	0.7
JY-300L	LJ-300	40	25	24	390	45	1
JY-400L	LJ-400	45	25	27.5	450	58	1.2
JY-500L	LJ-500	52	30	30.5	510	73	2
JrY-630L	LJ-630	60	35	34.5	570	87	3
JY-800L	LJ-800	65	40	38.5	650	110	3.8

Splicing Sleeves for Insulated Overhead Cable

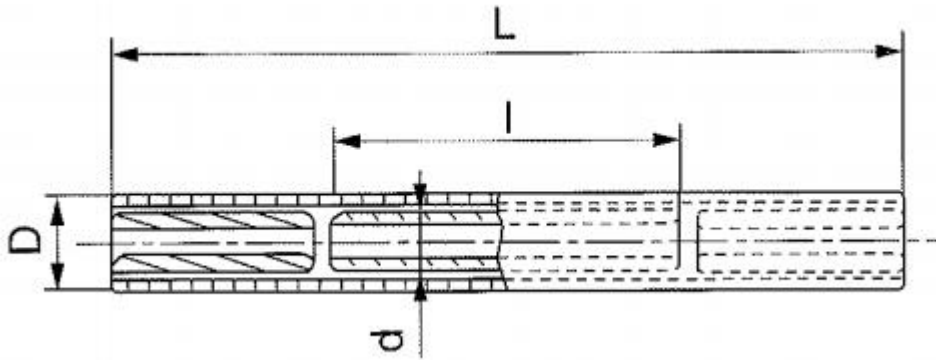
Material is aluminium. Note: the insulation material can be supplied.



Catalog No.	Suitable Conductor	Dimensions (mm)				Slip Strength(kN)	Weight(Kg)
		Di	D2	f	L		
JY-35LY	JKLYJ-35	20	7.6	15	130	4.9	0.1
JY-50LY	JKLYJ-50	20	9	15	140	6.7	0.1
JY-70LY	JKLYJ-70	22	11	15	170	9.8	0.13
JY-95LY	JKLYJ-95	24	12.5	15	190	13	0.17
JY-120LY	JKLYJ-120	26	14	15	210	16.5	0.22
JY-150LY	IKLYJ-150	28	15.5	20	240	20	0.28
IV-185LY	JKLYJ-185	32	17	20	260	25.4	0.4
JY-240L,Y	JKLYJ-240	36	19.5	20	290	33	0.5

Splicing Sleeves for AS.Stranded Wire(Hydraulic Compression Type)

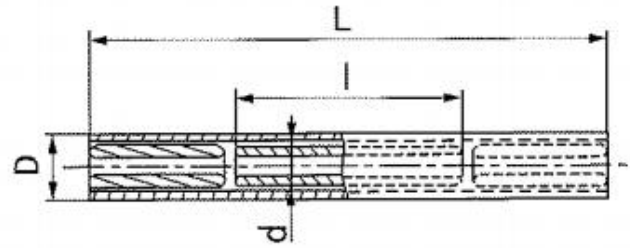
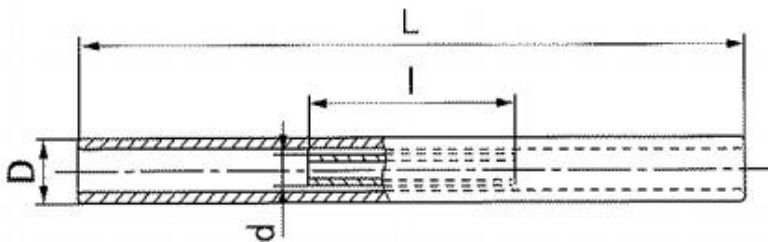
The inner sleeve is hot-dip galvanized steel, and the outer sleeve and lining sleeves are aluminum.



Catalog No.	Suitable Conductor	Dimensions_(mm)				Slip Strength(kN)	Weight(Kg)
		D	d	L	l		
JY-50BG	LB20J-50	32	18	440	240	55.8	1
JY-70BG	LB27J-70	32	20	550	320	65.8	1.63
JY-80BG	LB20J-80	34	24	550	320	85	2.12
JY-95BG	LB40J-95	34	24	550	330	56	1.66
JY-120BG	LB27J-120	36	26	640	400	112	2

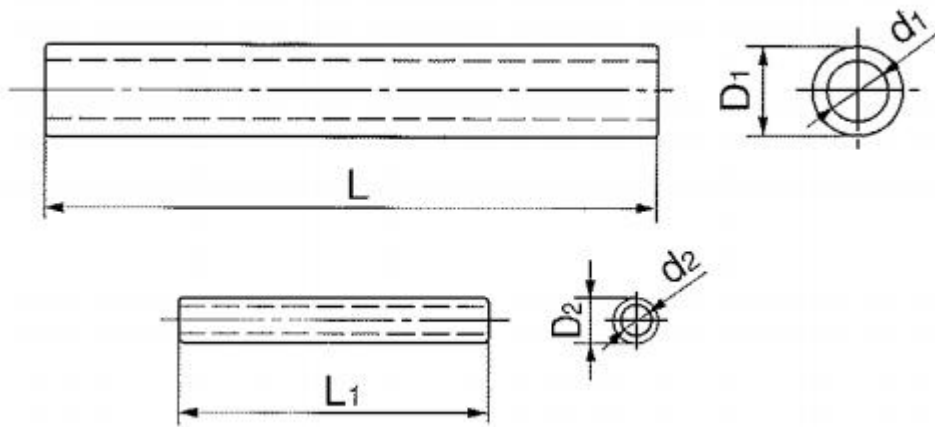
Splicing Sleeves for ACSR/AS(Hydraulic Compression Type)

The inner sleeve is hot-dip galvanized steel, and the outer sleeve and lining sleeves are aluminum.



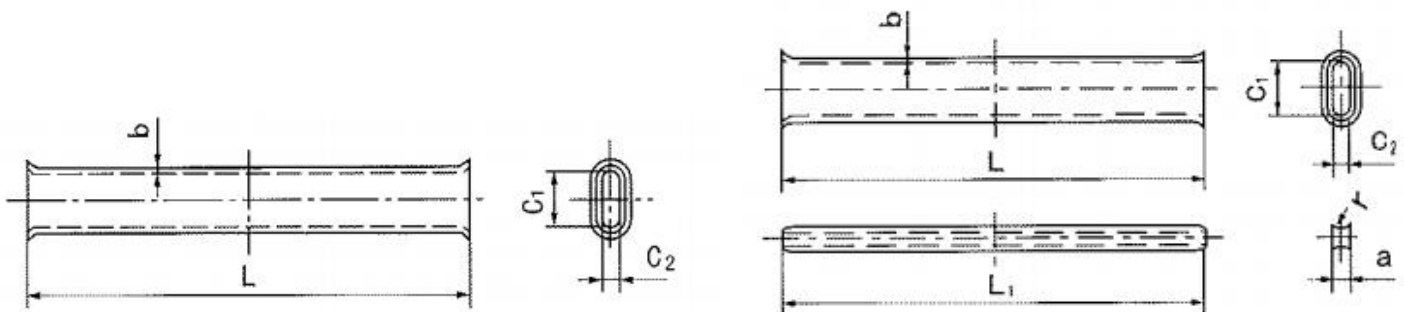
Catalog No.	Suitable Conductor	Fig.	Dimensions (mm)				Slip Strength (kN)	Weight(Kg)
			D	d	L	l		
JY-80/47BG	ACSR/AS-80/47	2	36	18	480	250	64.6	1.3
JY-95/55BG	ACSR/AS-95/55	2	36	20	500	260	74	1.32
JYD-240/40BG	ACSR/AS-240/40		38	22	500	110	81.6	1.18
JYD-300/25BG	ACSR/AS-300/25	1	42	20	500	90	74.4	1.35
JYD-300/40BG	ACSR/AS-300/40	1	42	22	530	110	90	1.42
JYD-300/50BG	ACSR/AS-300/50	1	42	24	550	130	101	1.5
JYD-400/35BG	ACSR/AS-400/35		48	22	560	100	99	2.03
JYD-400/50BG	ACSR/AS-400/50	1	48	24	590	130	117	2.07

Splicing Sleeves for ACSR Conductor (Explosive Overlap Joint)
 The outer sleeve is aluminum, inner sleeve is hot-dip galvanized steel.



Catalog No.	Suitable Conductor	Dimensions (mm)						Slip Strength(kN)	Weight(Kg)
		D1	D2	D1	d2	L	L1		
JYB-300/40	LGJ-300/40	40	22	25.5	17	430	120	87	1.1
JYB-300/50	LGJ-300/50	40	22	26	17	450	140	98	1.1
1VB-300/70	LGJ-300/70	42	24	27	19	510	160	122	1.4
JYB-400/35	LGJ-400/35	45	24	29	19	510	120	99	1.4
JYB-400/50	LGJ-400/50	45	24	29.5	19	510	140	117	1.5
JYB-400/65	IGJ-400/65	48	26	29.5	21	520	160	128	1.8
JYB-400/95	LGJ-400/95	48	28	31	22	550	170	163	1.9
JYB-500/65	LGJ-500/65	52	24	32.5	19	560	160	146	2.2

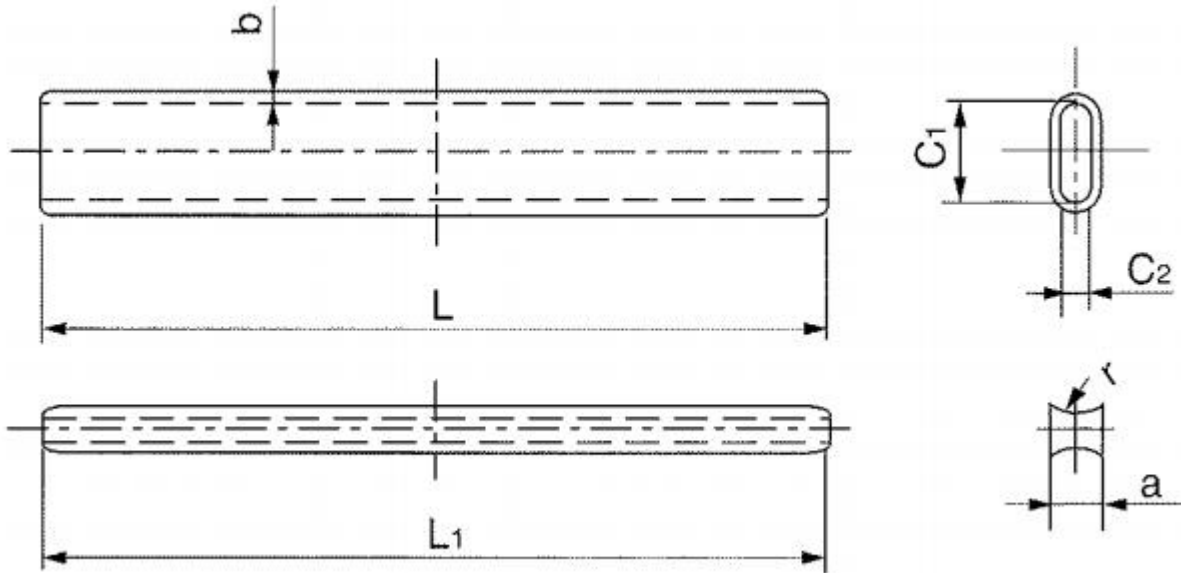
Splicing Sleeves for Shielding Wire (Hydraulic Compression Type)
 The outer sleeve is aluminum, inner sleeve is hot-dip galvanized steel.



Catalog No.	Suitable Conductor	Dimensions (mm)						Slip Strength (kN)	Weight(Kg)
		D1	D2	d1	d2	L	L1		
JY-70/40	LGJ-70/40	32	16	21	8.8	450	215	55	1.03
JY-95/55	LGJ-95/55	34	22	23	10.2	480	280	74	1.13

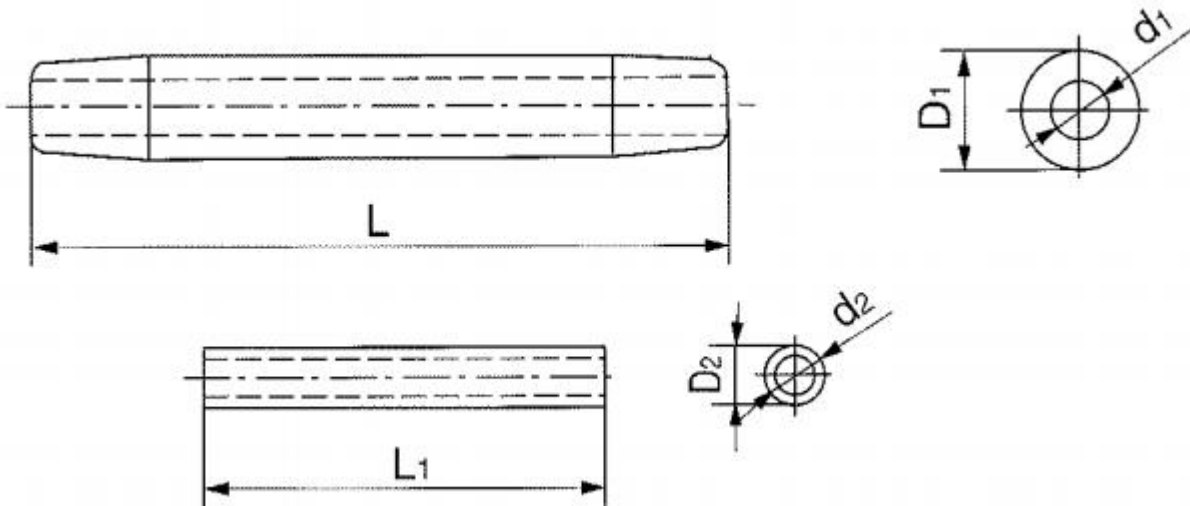
JYD-95/55	LGJ-95/55	34	24	17.5	16	370	110	74	0.82
JY-95/140	LGJ-95/140	45	30	32	16	685	415	163	3.2

Splicing Sleeves for Aluminium Conductor (Compression With Pliers)

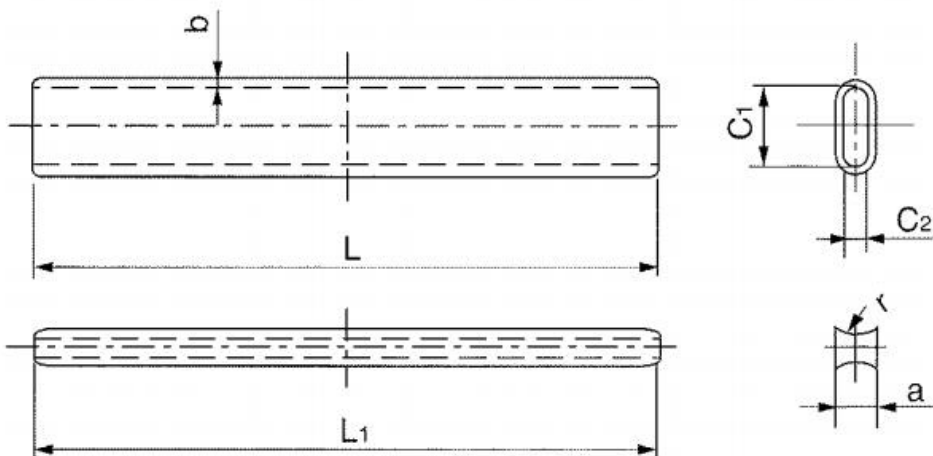


Catalog No.	Suitabl Conductor	Dimensions (mm)				Slip Strength (kN)	Weight(Kg)
		b	C1	C2	L		
JT-16L	LJ-16	1.7	12	6	110	2.7	0.02
JT-25L	LJ-25	1.7	14.4	7.2	120	4.1	0.03
JT-35L	LJ-35	1.7	17	8.5	140	5.5	0.04
JT-50L	LJ-95	1.7	20	10	190	7.5	0.05
JT-70L	LJ-70	1.7	23.7	11.7	210	10	0.07
JT-95L	JJ-95	1.7	26.8	13.4	280	14	0.1
JT-120L	LJ-120	2	30	15	300	18	0.15
JT-150L	LJ-150	2	34	17	320	22	0.16
JT-185L	LJ-800	2	38	19	340	27	0.2

Splicing Sleeves for ACSR Conductor (Compression With Pliers)

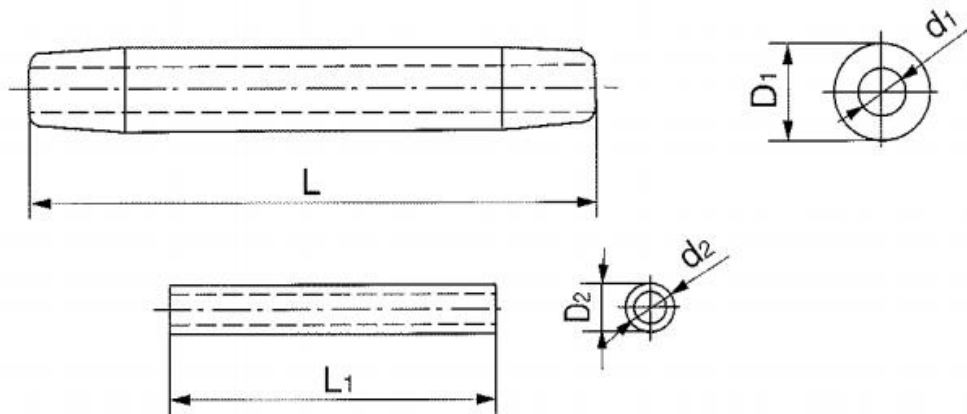


Catalog No.	Suitable Conductor	Dimensions(mm)							Slip Strength (kN)	Weight (Kg)
		a	b	C	C ₂	I	L	L		
JT-10/2	LGJ-10/2	4	1.7	11	5	**	170	180	3.9	0.05
JT-16/3	LGJ-16/3	5	1.7	14	6		210	220	5.8	0.07
JT-25/4	LGJ-25/4	6.5	1.7	16.6	7.8		270	280	8.8	0.08
JT-35/6	LGJ-35/6	8	2.1	18.6	8.8	12	340	350	12	0.17
JT-50/8	LGJ-50/8	9.5	2.3	22	10.5	13	420	430	16	0.23
JT-70/10	LGJ-70/10	11.5	2.6	26	12.5	14	500	510	22	0.34
JT-95/15	LGJ-95/15	14	2.6	31	15	15	690	700	33	0.52
JT-95/20	LGJ-95/20	14	2.6	31.5	15.2	15	690	700	35	0.55
JT-120/7	LGJ-120/7	5	3.1	33	16	15	910	920	26	0.6
JT-120/20	LGJ-120/20	15.5	3.1	35	17	15	910	920	39,0	0.91
JT-150/8	LGJ-150/8	16	3.1	36	17.5	17.5	940	950	31	1.05
JT-150/20	LGJ-150/20	17	3.1	37	18	17.5	940	950	44	1.1
JT-150/25	LGJ-150/25	17.5	3.1	39	19	17.5	940	950	51	1.15
JT-185/10	LGJ-185/10	18	3.4	40	19.5	18.5	1040	1060	39	1.4
JT-185/25	LGJ-185/25	19.5	3.4	43	21	18	1040	1060	56	1.42
JT-185/30	LGJ-185/30	19.5	3.4	43	21	18	1040	1060	61	1.5
JT-210/10	LGJ-210/10	20	3.6	43	21	19.5	1070	1090	43	1.52
JT-210/25	LGJ-210/25	20	3.6	44	21.5	19.5	1070	1090	63	1.58
JT-210/35	LGJ-210/35	20.5		45	22	19.5	1070	1090	71	1.62
JT-240/30	LGJ-240/30	22	3.9	48	23.5	20	540	550	72	1
JT-240/40	LG3-240/40	22	3.9	48	23.5	20	540	550	79	1

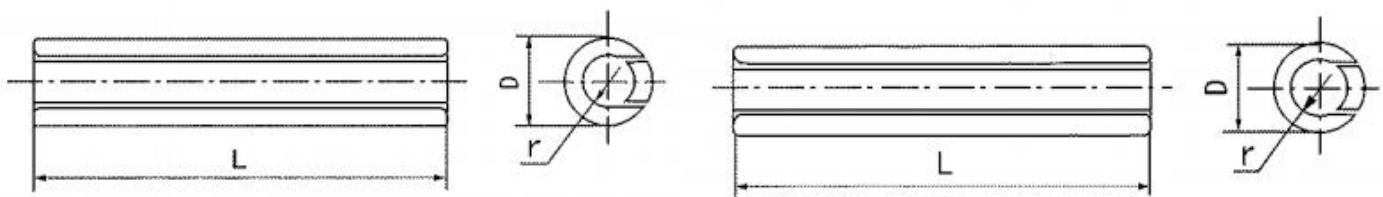
Splicing Sleeves for ACSR Conductor (Explosive Compression Joint)


Catalog No.	Suitable Conductor	Dimensions (mm)							Slip Strength (kN)	Weight (Kg)
		a	b	C1	C2	l	L	Li		
JTB-35/6	LGJ-35/6	8	2.1	18.6	8.8	12	170	180	12	0.08
JTB-50/8	LGJ-50/8	9.5	2.3	22	10.5	13	210	220	16	0.13
	LGJ-70/10	11.5	2.6	26	12.5	14	250	260	22	0.19
JTB-95/15	LGJ-95/15	14	2.6	31	15	15	260	270	33	0.25
JTB-95/20	LGJ-95/20	14	2.6	31.5	15.2	15	260	270	35	0.25
JTB-120/7	LGJ-120/7	15	3.1	33	16	15	300	310	26	0.34
JTIB-120/20	LGJ-120/20	15.5	3.1	35	17	15	300	310	39	0.34
JTB+150/8	LGJ-150/8	16	3.1	36	17.5	17.5	310	320	31	0.4
JTB-150/20	LGJ-150/20	17	3.1	37	18	17.5	310	320	44	0.4
JTB-150/25	LGJ-150/25	17.5	3.1	39	19	17.5	310	320	51	0.4
JTB-185/10	LGJ-185/10	18	3.4	40	19.5	18	350	360	39	0.5
11B-185/25	LGJ-185/25	19.5	3.4	43	21	18	350	360	56	0.5
JTB-185/30	LGJ-185/30	19.5	3.4	43	21	18	350	360	61	0.5
JTB-210/10	LGJ-210/10	20	3.6	43	21	19.5	360	370	43	0.57
JTB-210/25	LGJ-210/25	20	3.6	44	21.5	19.5	360	370	63	0.63
JTB-210/35	LGJ-210/35	20.5	3.6	45	22	19.5	360	370	71	0.67
JTB-240/30	LGJ-240/30	22	3.9	48	23.5	20	400	410	72	0.8
JTB-240/40	LGJ-240/40	22	3.9	48	23.5	20	460	470	79	0.84

Splicing sleeves for ACSR Conductor (Hydraulic Overlap Joint)
 The outer sleeve is aluminum, inner sleeve is hot-dip galvanized steel.



Catalog No.	Suitable Conductor	Dimensions (mm)						Slip Strength (kN)	Weight (Kg)
		D1	D2	L	Li	di	d2		
JYD-240/30	LGJ-240/30	36	20	440	80	23	12	72	0.86
JYD-240/40	LGJ-240/40	36	20	440	80	23	13	79	0.86
JYD-240/55	LGJ-240/55	36	22	460	100	24	16	97	0.88
JYD-300/15	LGJ-300/15	40	18	470	50	24.5	8.4	65	1.1
JYD-300/20	LGJ-300/20	40	18	480	60	25	9.8	72	1.15
JYD-300/25	LGJ-300/25	40	20	480	70	25.5	11.2	79	1.15
JYD-300/40	LGJ-300/40	40	20	480	80	25.5	13.3	88	1.2
JYD-300/50	LGJ-300/50	40	22	490	100	26	15	98	1.2
JYD-300/70	LGJ-300/70	42	24	510	110	27	18	122	1.37
JYD-400/20	LGJ-400/20	45	18	550	60	28.5	9.8	84	1.52
JYD-400/25	LGJ-400/25	45	20	550	70	28.5	11.2	91	1.55
JYD-400/35	LGJ-400/35	45	22	540	80	28.5	13	99	1.56
JYD-400/50	LGJ-400/50	45	24	550	100	29.5	15.4	117	1.61
JYD-400/65	LGJ-400/65	48	26	560	110	29.5	17.2	129	1.96
JYD-500/35	LGJ-500/35	52	22	610	80	31.5	13	114	2.36
JYD-500/45	LGJ-500/45	52	24	610	90	31.5	14	122	2.41
JYD-500/65	LGJ-500/65	52	26	610	110	32.5	17.2	146	2.5
JYD-630/45	LGJ-630/45	60	24	680	90	35.5	14	141	3.71
JYD-630/55	LGJ-630/55	60	26	680	100	36	16	156	3.8
JYD-800/55	LGJ-800/55	65	26	760	100	40	16	182	4.5
JYD-800/70	LGJ-800/70	65	26	760	110	40.5	18	197	4.45

Repair Sleeves for ACSR Conductor


Catalog No.	Suitable Conductor	Dimensions (mm)	Weight(Kg)
-------------	--------------------	-----------------	------------

		D	L	I	
JX-95/55	LGJ-95/55	32	150	9	0.25
JX-185/10	LGJ-185/10	32	150	10	0.2
JX-185	LG3-185/25185/30185/45210/10	32	150	10.5	0.2
JX-210	LGJ-210/25210/35	34	200	11	0.29
JX-240	LGJ-240/30240/40210/50	36	200	12	0.33
JX-240/55	LGJ-240/55	40	250	12.5	0.31
JX-300/15	LGJ-300/15	40	250	13	0.52
JX-300	LGJ-300/20300/25300/40300/50	42	250	13.5	0.51
JX-300/70	LGJ-300/70	45	300	14.5	0.55
JX-400	LGJ-400/20400/25400/35	45	320	14.5	0.75
JX-400/50	LGJ-400/50	48	300	15	0.9
JX-400/65	LGJ-400/65	48	320	15.5	0.9
JX-400/95	LGJ-400/95	52	320	16	0.85
JX-500	LGJ-500/35500/45500/65	60	370	18	1.07
JX-630	LGJ-630/45 630/55 630/80	60	370	18	1.7
JX-800/55	LGJ-800/55	65	370	20	19
IX-800	LGJ-800/70800/100	65	350	20.5	19

Repair Sleeves for Steel Wire

Catalog No.	Suitabl Conductor	Dimensions (mm)			Weight(Kg)
		D	L	!	
JX-35G	GJ-35	16	120	4.2	0.11
JX-50G	GJ-50	18	120	4.8	0.14
JX-70G	GJ-70	22	140	5.8	0.25
JX-80G	GJ-80	24	140	6.2	0.4
JX-100G	GJ-100	26	140	7	0.41
JX-150G	GJ-150	32	200	8.4	0.9